

Commander MILLHOG®

Model C-134
I.D. Clamping Pipe Beveling Tool
3.75" I.D. to 14" O.D.
95.25 mm I.D. to 355.6 mm O.D.

Bevels heavy wall pipe and pulls a thick chip without cutting fluids

Key Features

- One mandrel and seven sets of clamps cover entire tool range
- Wide clamps spread the contact force for superior clamping
- Three powerful motor choices that are easily switched and interchangeable with the Dictator
 - Pneumatic
 - Electric
 - Hydraulic
- Dual opposed tapered roller bearing design provide years of trouble free service
- Available off-set gear drive lowers rpm, doubles the torque and enables the cutter blade to pull a thick chip for fast pipe beveling and increased Cutter Blade life.
- Available spring hanger ensures accurate alignment when clamping
- Engineered for high performance and low maintenance
- Fully portable for on-site use

Precision pipe beveler makes chatter-free bevels for precision welds

Designed to bevel all schedules of pipe from 3.75" I.D. to 14" O.D., the Commander MILLHOG® Model C-314 features a clamping system that spreads the contact points of the clamps radially inside the pipe. This minimizes vibration for chatter-free end preps on both thin and heavy wall pipe. To assure stable, smooth rotation of the cutterhead, this rugged tool employs dual opposed tapered roller bearings that are easy to adjust and never wear out.

Powerful and versatile, torque at the cutter blade for the Model C-314 is achieved with the choice of three motor options suited to fit your application.

Like all MILLHOG® tools, the Commander MILLHOG® Model C-314 is simple to operate and ruggedly designed for years of trouble free service.



The clamping system of the Commander MILLHOG® Model C-314 pipe beveling machine has six contact points that minimize vibration for chatter free bevels on both thin and heavy wall pipe.

Applications

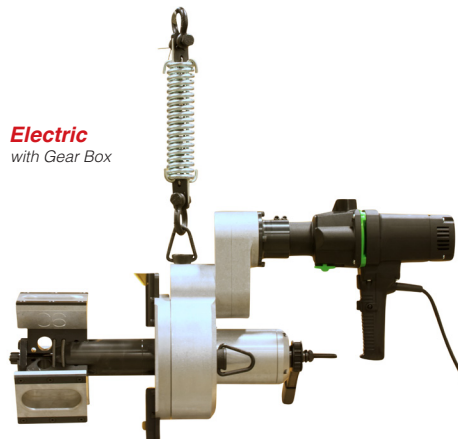
- Super alloy pipe beveling
- On and off-shore pipeline construction
- Petrochemical
- Power generation
- Systems fabrication
- Structural construction

Super Duplex and other high alloy pipe materials can be difficult to bevel at speeds that work well on Carbon Steel and other alloys. The need to reduce the rpm and increase the torque is required for these applications and the Gear Box does just that. It easily and quickly mounts to the Commander and reduces the rpm by half and doubles the torque at the cutter blade.

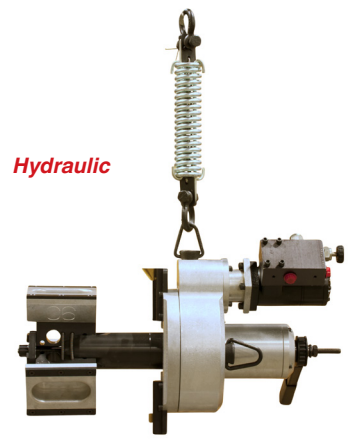
Pneumatic



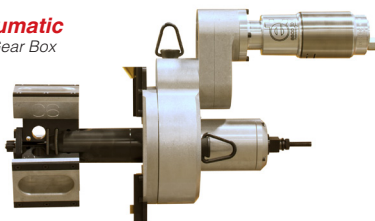
**Electric
with Gear Box**



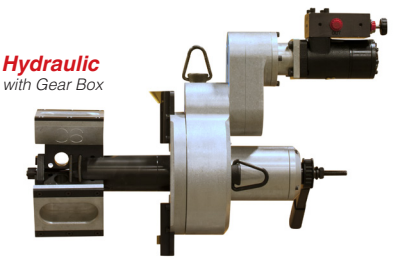
Hydraulic



**Pneumatic
with Gear Box**



**Hydraulic
with Gear Box**



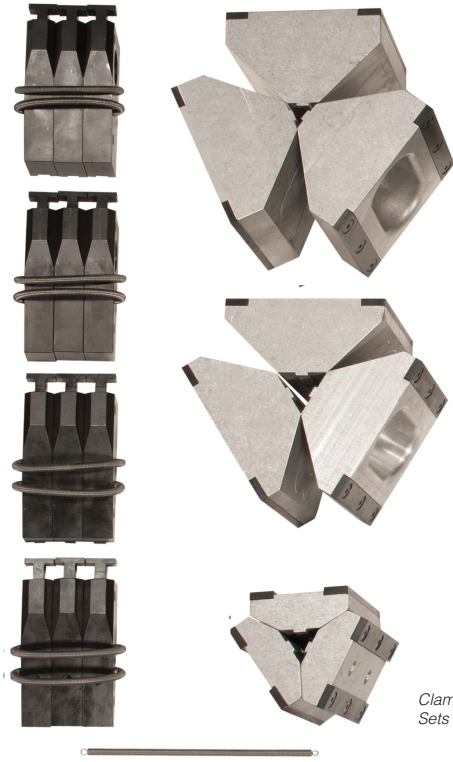
Clamp System Features

- Only 7 sets of clamps for entire range
- All clamps work on one Mandrel
- Clamp Pads have replaceable corners
- All key clamping components, including Draw Rod are heat treated.

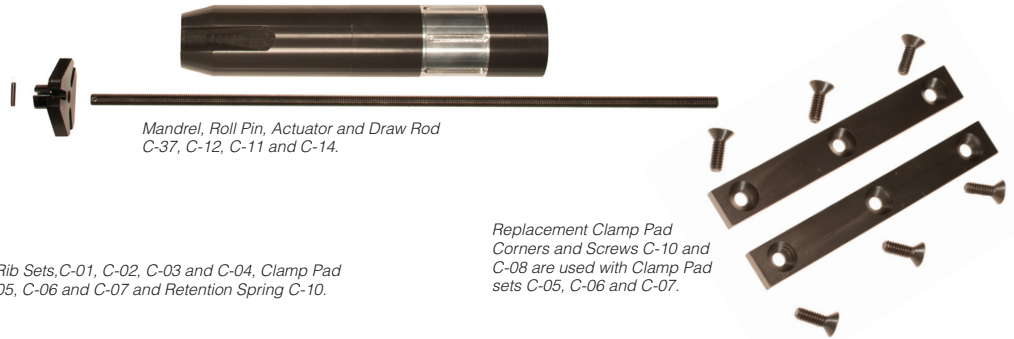
Clamps spread force for rock solid stability

The Commander MILLHOG® Clamp Ribs combined with Clamp Pads achieve a huge I.D. range of 3.75" to 14" with only 7 sets of clamps that all work on the same Mandrel. The Clamp Pads are V shaped to spread the clamping force radially inside the pipe for rock solid stability and have heat treated and hardened replaceable steel corners that are easy and economical to change when worn.

Commander Clamp Rib Selector and corresponding spares Mandrel, Draw Rod, Actuator, Roll Pin, Retention Springs and Clamp Pad Corners



Clamp Set	I.D. Range				Mandrel		Draw Rod	Actuator		Retention Spring	Clamp Pad Corner		Clamp Pad Screw	
	in	mm	in	mm	Part #	Size (in)		Part #	Roll Pin		Part #	Per Pad Set	Part #	Per Pad Set
C-01	3.750	4.500	95.250	114.300	C-37	3	C-14	C-11	C-12	C-13				
C-02	4.375	5.250	111.130	133.350	C-37	3	C-14	C-11	C-12	C-13				
C-03	5.125	6.000	130.180	152.400	C-37	3	C-14	C-11	C-12	C-13				
C-04	5.875	6.800	149.230	172.720	C-37	3	C-14	C-11	C-12	C-13				
C-01 & C-05	6.750	7.562	171.450	192.080	C-37	3	C-14	C-11	C-12	C-13	C-10	6	C-08	18
C-02 & C-05	7.437	8.250	188.900	209.550	C-37	3	C-14	C-11	C-12	C-13				
C-03 & C-05	8.125	8.938	206.380	227.030	C-37	3	C-14	C-11	C-12	C-13				
C-04 & C-05	8.875	9.700	225.430	246.380	C-37	3	C-14	C-11	C-12	C-13				
C-01 & C-06	9.687	10.500	246.050	266.700	C-37	3	C-14	C-11	C-12	C-13	C-10	6	C-08	18
C-02 & C-06	10.375	11.125	263.530	282.580	C-37	3	C-14	C-11	C-12	C-13				
C-03 & C-06	11.000	11.812	279.400	300.030	C-37	3	C-14	C-11	C-12	C-13				
C-04 & C-06	11.750	12.500	298.450	317.500	C-37	3	C-14	C-11	C-12	C-13				
C-03 & C-07	12.400	13.250	314.960	336.550	C-37	3	C-14	C-11	C-12	C-13	C-10	6	C-08	18
C-04 & C-07	13.125	14.000	333.380	355.600	C-37	3	C-14	C-11	C-12	C-13				



Clamp Rib Sets, C-01, C-02, C-03 and C-04, Clamp Pad Sets C-05, C-06 and C-07 and Retention Spring C-10.

Mandrel, Roll Pin, Actuator and Draw Rod
C-37, C-12, C-11 and C-14.

Replacement Clamp Pad Corners and Screws C-10 and C-08 are used with Clamp Pad sets C-05, C-06 and C-07.



Tool Post and Tool Post screws
C-52 and C-55.

The Commander MILLHOG® is equipped with two Tool Posts and a third Tool Post can be added as an option. All Tool Posts are interchangeable and share the same screws and wedges.

Commander Tool Post, Blade Locks and Screws

Tool Post			Tool Post Screws		Blade Lock		Lock Screw	
Part #	Size	Per Tool	Part #	Per Post	Part #	Per Post	Part #	Per Lock
C-52	4.25	2	C-55	4	C-54	5	C-53	1

* The available third Tool Post is optional



Blade Lock Screw and Blade Lock
C-53 and C-54.

Commander and Dictator MILLHOG® motors are interchangeable and switching is easily accomplished with a simple hex key.

Specifications: Commander

Working Range	3.750in (95.25 mm) I.D. to 14in (355.6 mm) O.D.		
Motor	Pneumatic	Electric	Hydraulic
	3 hp (2237 W) 90 psi (6.2 bar) 95 cfm (2690 lt/min)	120 V AC 50/60 Hz 1800 W, or 230 V AC 50/60 Hz 1800 W	5 hp / 8-12 gpm (30.3-45.4 lt/min) 5 - 10 gpm @ 1500 psi 20 gallon reservoir
	24 rpm	13 rpm - 45 rpm	1 rpm - 22 rpm
Speed	12 rpm with gear reducer	6.5 rpm - 22.5 rpm	1 rpm - 11 rpm
Speed with Off-Set Gear Reducer	11.50in (323.9 mm)	11.50in (323.9 mm)	11.50in (323.9 mm)
Minimum Clearance	26in (660.4 mm)	26in (660.4 mm)	26in (660.4 mm)
Head Length	89 lbs (40.4 kg)	91 lbs (41.3 kg)	93 lbs (42.2 kg)
Working Weight	200 lbs (91 kg)	202 lbs (92kg)	204 lbs (93kg)
Shipping Weight	32in x 15in x 17in	32in x 15in x 17in	32in x 15in x 17in
Shipping Dimensions	813 mm x 381 mm x 432 mm	813 mm x 381 mm x 432 mm	813 mm x 381 mm x 432 mm